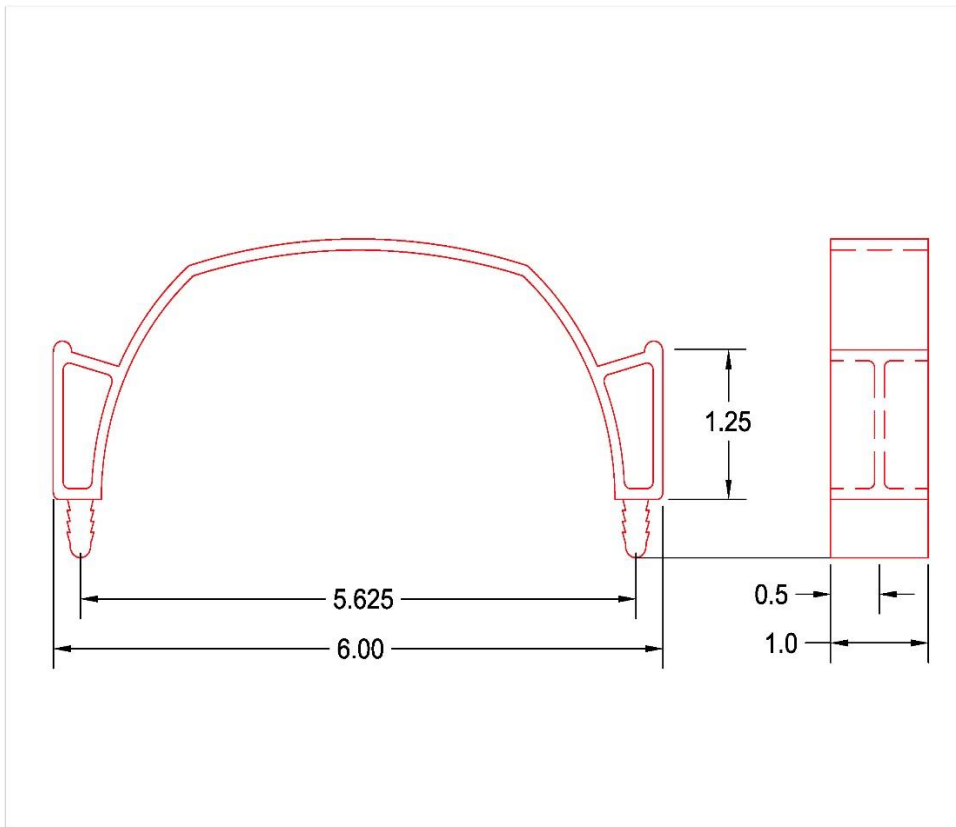


## UNDERGROUND PRODUCTS/VERTICAL LOCK SPACER SYSTEM DATA SHEET AND DIMENSIONS

96-1 4" CAP STRAP (150 PCS. PER CTN., WGHT. PER CTN. 8 LBS.)



- Cap Straps offer a sturdy lock down for your intermediate spacers and assist in preventing floating of your top row of pipe  
The 96-1, 4" Cap Strap fits all 4" spacers. Contact us for details and for special assembly projects.