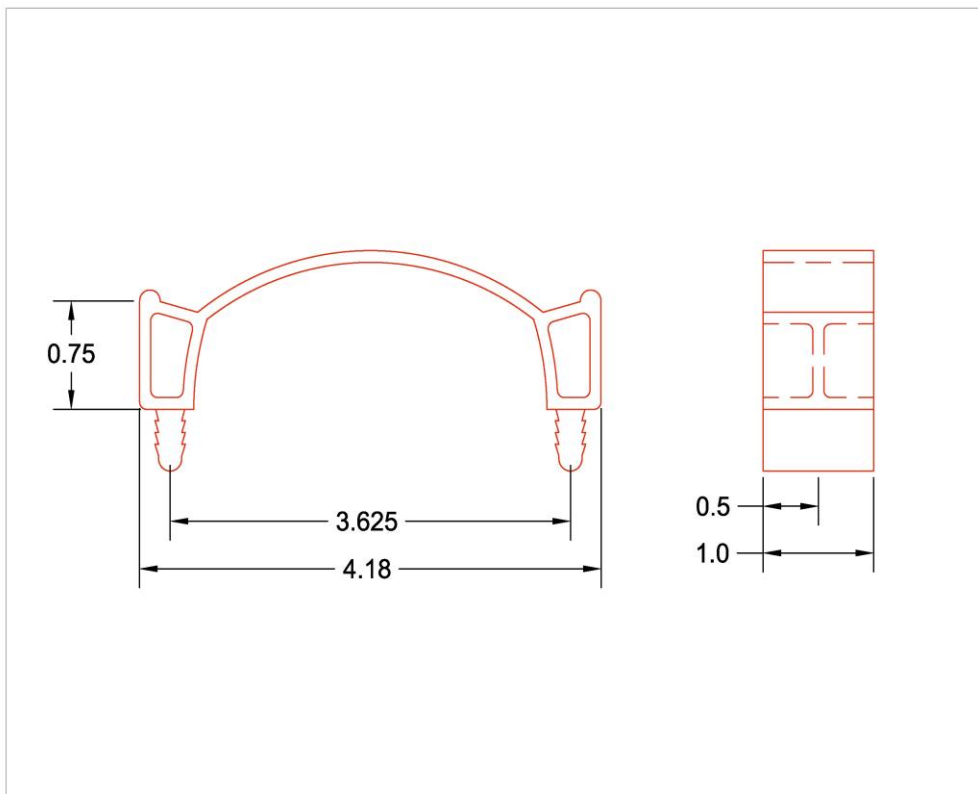


UNDERGROUND PRODUCTS/VERTICAL LOCK SPACER SYSTEM DATA SHEET AND DIMENSIONS

94-1 2" CAP STRAP (200 PCS. PER CTN., WGHT. PER CTN. 7 LBS.)



- Cap Straps offer a sturdy lock down for your intermediate spacers and assist in preventing floating of your top row of pipe
The 94-1, 2" Cap Strap fits all 2" spacers. Contact us for details and for special assembly projects.