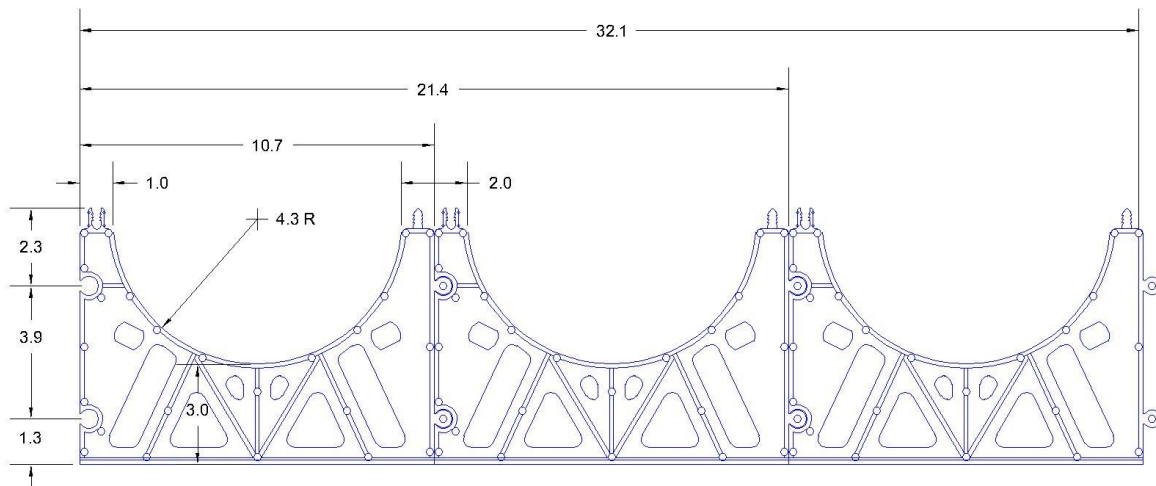


UNDERGROUND PRODUCTS/VERTICAL LOCK SPACER SYSTEM DATA SHEET AND DIMENSIONS

199-3 8 X 2 X 3 WAY BASE SPACER (STD.PK.GAYLORD)



- See the Multiple Assembly Data Sheet (http://gsib.com/documents/ug_multiple_data.pdf)
For pre-assembled spacers (199-2,199-3,199-4,). Contact us for details and for special assembly projects.