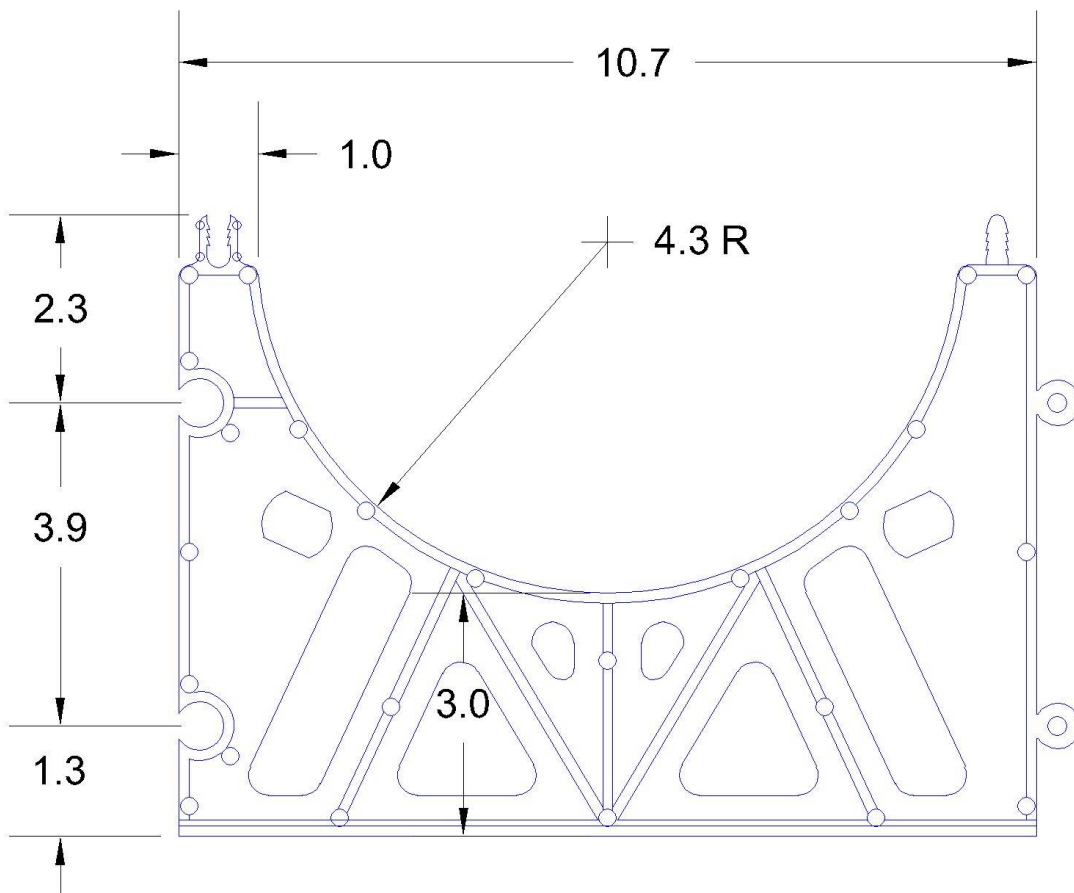


## UNDERGROUND PRODUCTS/VERTICAL LOCK SPACER SYSTEM DATA SHEET AND DIMENSIONS

199-1 8 X 2 BASE SPACER (STD.PK.50/CTN., WGHT. 29LBS)



- See the Multiple Assembly Data Sheet ([http://gsib.com/documents/ug\\_multiple\\_data.pdf](http://gsib.com/documents/ug_multiple_data.pdf))  
For pre-assembled spacers (199-2,199-3,199-4,). Contact us for details and for special assembly projects.