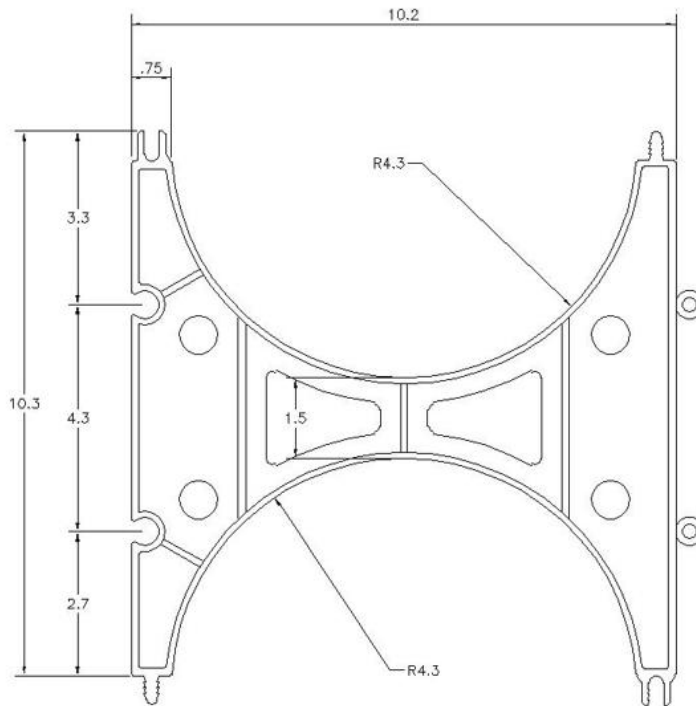


UNDERGROUND PRODUCTS/VERTICAL LOCK SPACER SYSTEM DATA SHEET AND DIMENSIONS

196-1 8 X 1 ½ INTERMEDIATE SPACER (STD.PK. 60/CTN., WGHT. 24 LBS)



- See the Multiple Assembly Data Sheet (http://gsib.com/documents/ug_multiple_data.pdf)
For pre-assembled spacers (196-2,196-3,196-4,). Contact us for details and for special assembly projects.