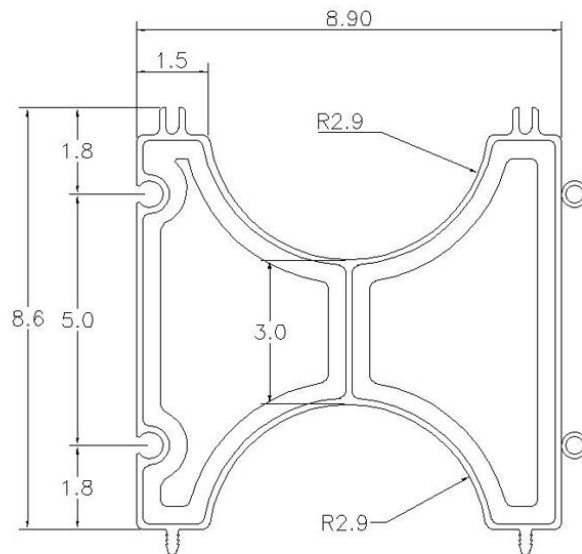


## UNDERGROUND PRODUCTS/VERTICAL LOCK SPACER SYSTEM DATA SHEET AND DIMENSIONS

191-1 5 X 3 INTERMEDIATE SPACER (STD.PK. 80/CTN., WGHT. 22 LBS)



- See the Multiple Assembly Data Sheet ([http://gsib.com/documents/ug\\_multiple\\_data.pdf](http://gsib.com/documents/ug_multiple_data.pdf))  
For pre-assembled spacers (191-2,191-3,191-4,). Contact us for details and for special assembly projects.