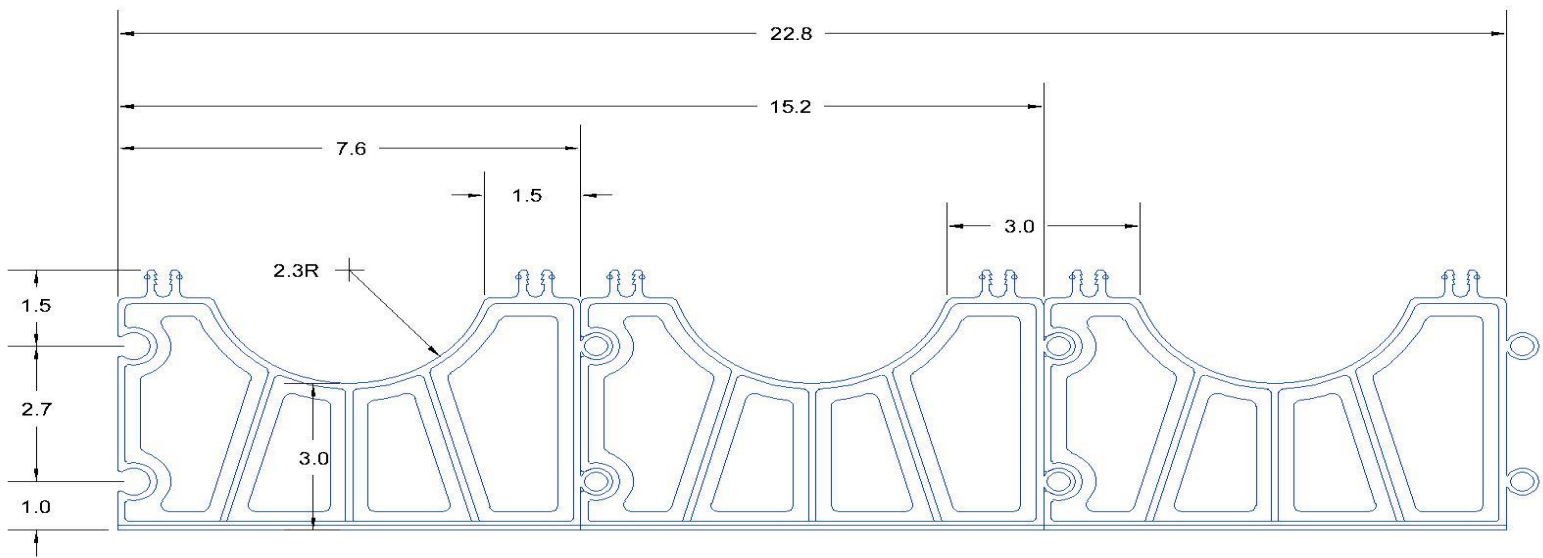




*GS Industries of Bassett, Ltd.
85 Rosemont Road - Bassett, VA 24055*

UNDERGROUND PRODUCTS/VERTICAL LOCK SPACER SYSTEM
DATA SHEET AND DIMENSIONS

190-3 4 X 3 X 3 WAY BASE SPACER (STD.PK. 40., WGHT. 40 LBS)



See the Multiple Assembly Data Sheet:

(http://gsib.com/docuements/ug_multiple_data.pdf for pre-assembled spacers (190-2,190-3,190-4,). Contact us for details and for special assembly projects.

**www.gsib.com - 800-445-2192 - smh@gsib.com-
gblack@gsib.com**

