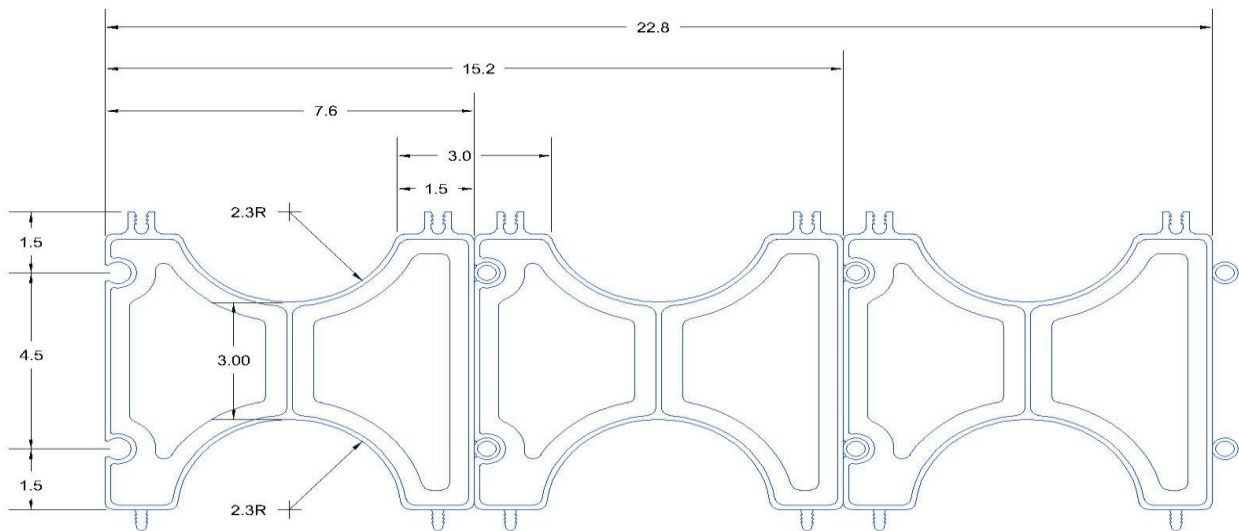


## UNDERGROUND PRODUCTS/VERTICAL LOCK SPACER SYSTEM DATA SHEET AND DIMENSIONS

189-3 4 X 3 x 3 WAY INTERMEDIATE SPACER (STD.PK. 30/CTN, WGHT. 26 LBS)



See the Multiple Assembly Data Sheet

([http://gsib.com/documents/ug\\_multiple\\_data.pdf](http://gsib.com/documents/ug_multiple_data.pdf))

For pre-assembled spacers (189-2,189-3,189-4). Contact us for details and for special assembly projects.