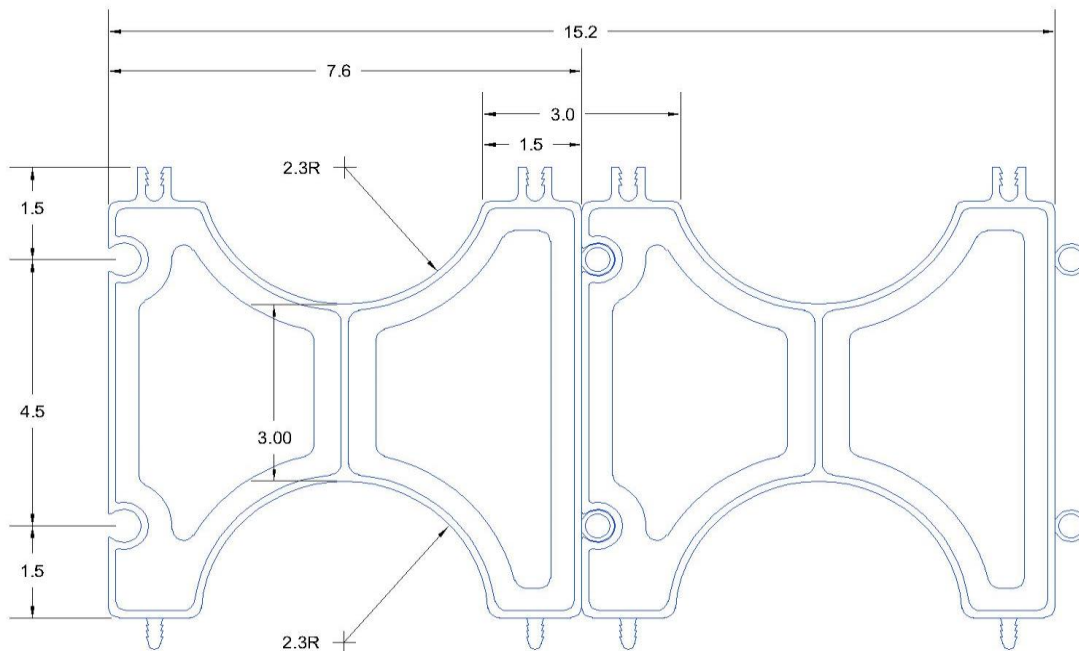




GS Industries of Bassett, Ltd.
85 Rosemont Road - Bassett, VA 24055

UNDERGROUND PRODUCTS/VERTICAL LOCK SPACER SYSTEM
DATA SHEET AND DIMENSIONS

189-2 4 X 3 x 2 WAY INTERMEDIATE SPACER (STD.PK. 48/CTN, WGHT. 28 LBS)



See the Multiple Assembly Data Sheet

(http://gsib.com/documents/ug_multiple_data.pdf)

For pre-assembled spacers (189-2,189-3,189-4). Contact us for details and for special assembly projects.

