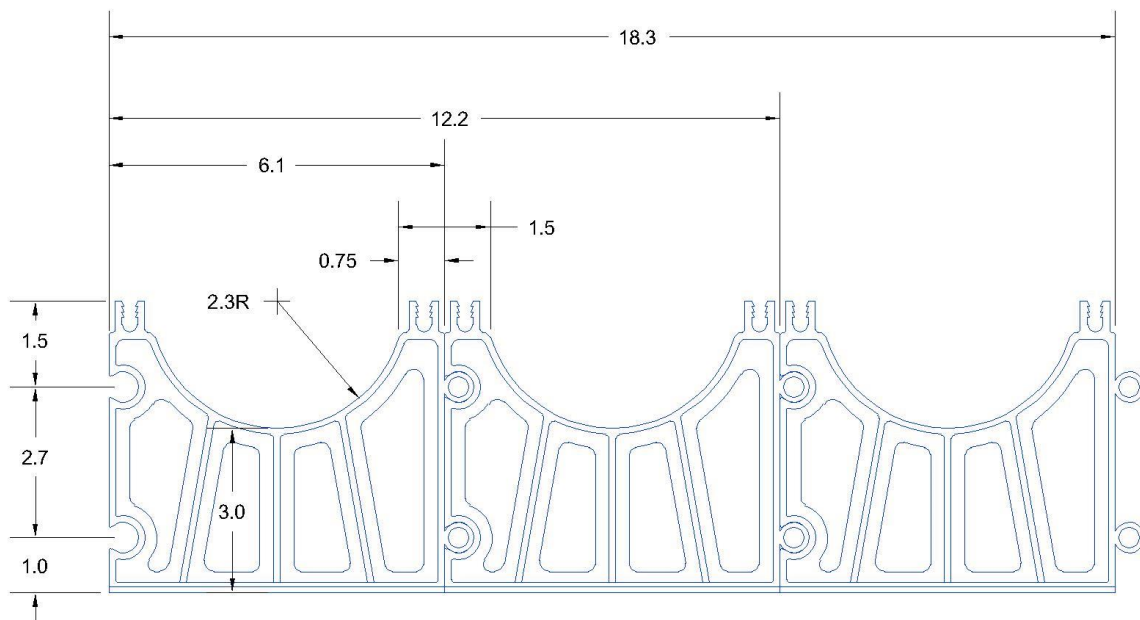


UNDERGROUND PRODUCTS/VERTICAL LOCK SPACER SYSTEM DATA SHEET AND DIMENSIONS

186-3 4 X 1 ½ X 3 WAY BASE SPACER (STD.PK. 50/CTN., WGHT. 42 LBS)



- See the Multiple Assembly Data Sheet (http://gsib.com/documents/ug_multiple_data.pdf)
For pre-assembled spacers (186-2,186-3,186-4,). Contact us for details and for special assembly projects.