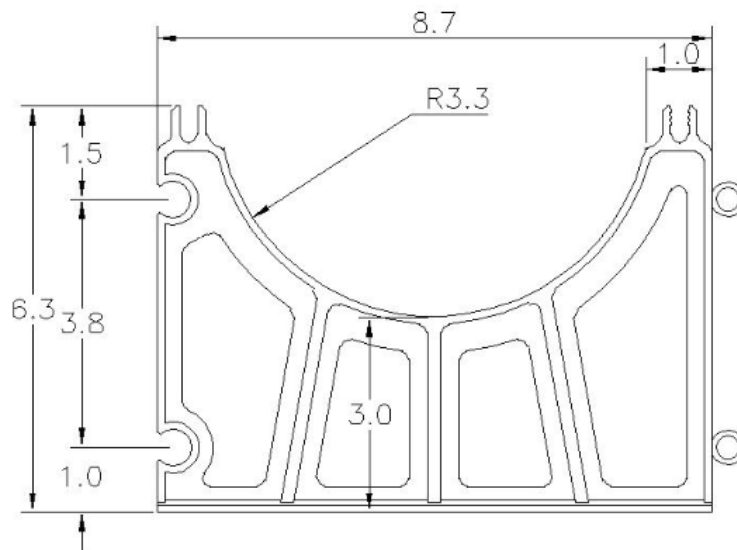


UNDERGROUND PRODUCTS/VERTICAL LOCK SPACER SYSTEM DATA SHEET AND DIMENSIONS

135-1 6X2 BASE SPACER (STD.PK. 100/CTN., WGHT. 35 LBS)



- See the Multiple Assembly Data Sheet (http://gsib.com/documents/ug_multiple_data.pdf)
For pre-assembled spacers (135-2, 135-3, 135-4,). Contact us for details and for special assembly projects.