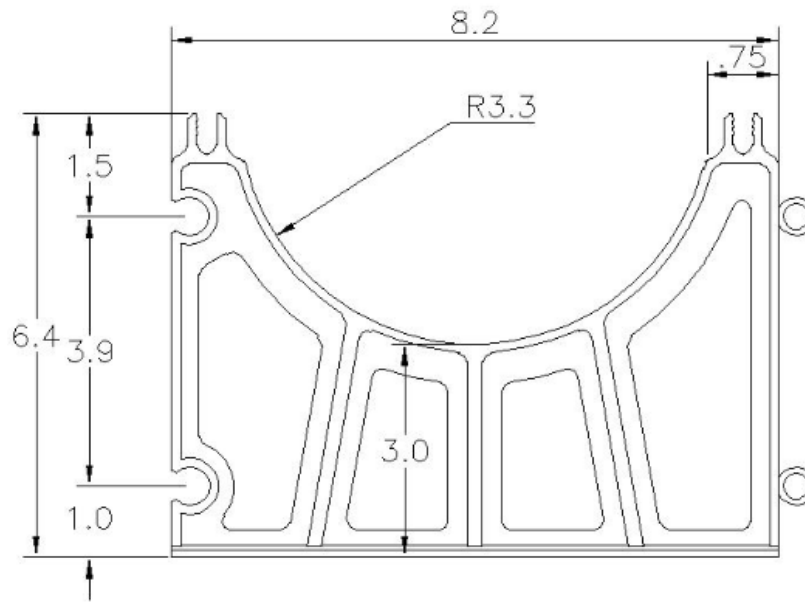


UNDERGROUND PRODUCTS/VERTICAL LOCK SPACER SYSTEM DATA SHEET AND DIMENSIONS

133-1 6X1 ½ BASE SPACER (STD.PK. 100/CTN., WGHT. 31 LBS)



- See the Multiple Assembly Data Sheet (http://gsib.com/documents/ug_multiple_data.pdf)
For pre-assembled spacers (133-2, 133-3, 133-4). Contact us for details and for special assembly projects.