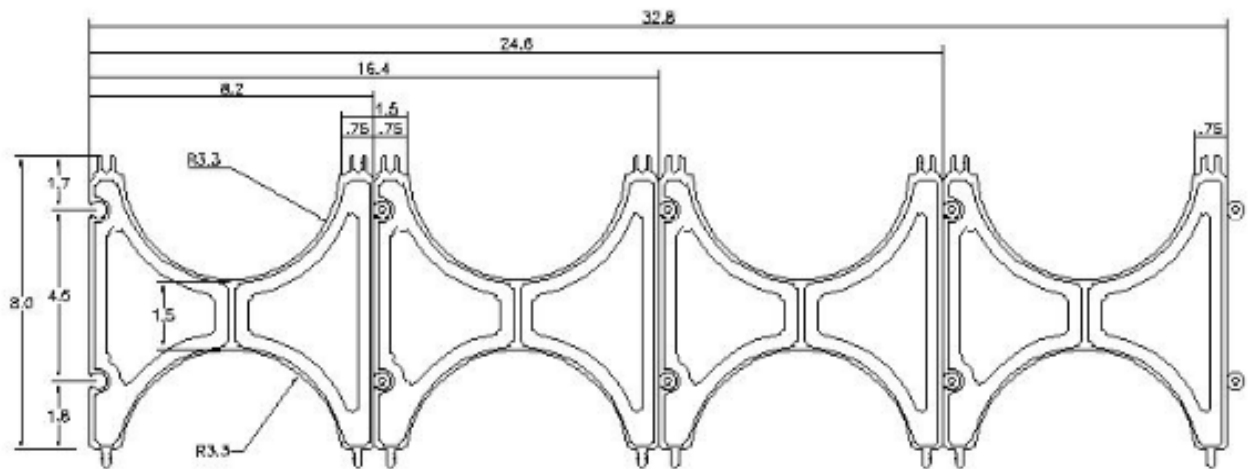


UNDERGROUND PRODUCTS/VERTICAL LOCK SPACER SYSTEM DATA SHEET AND DIMENSIONS

132-4 6X1 ½ 4 WAY INTERMEDIATE SPACER (STD.PK. 37/CTN., WGHT. 40 LBS)



- See the Multiple Assembly Data Sheet (http://gsib.com/documents/ug_multiple_data.pdf)
For pre-assembled spacers (132-2, 132-3, 132-4). Contact us for details and for special assembly projects.