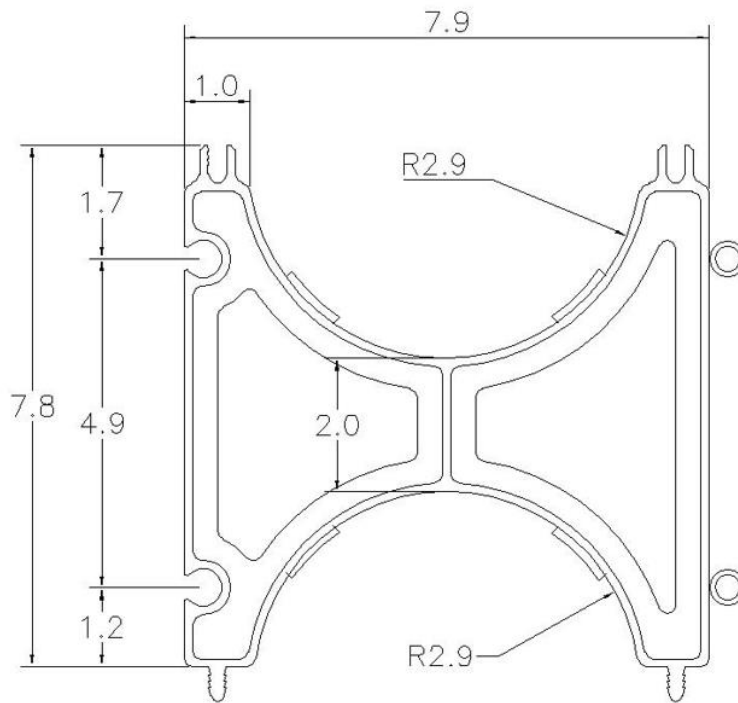


UNDERGROUND PRODUCTS/VERTICAL LOCK SPACER SYSTEM DATA SHEET AND DIMENSIONS

130-1 5 X 2 INTERMEDIATE SPACER (STD.PK. 100/CTN., WGHT. 30 LBS)



- See the Multiple Assembly Data Sheet (http://gsib.com/documents/ug_multiple_data.pdf)
For pre-assembled spacers (130-2,130-3,130-4,). Contact us for details and for special assembly projects.