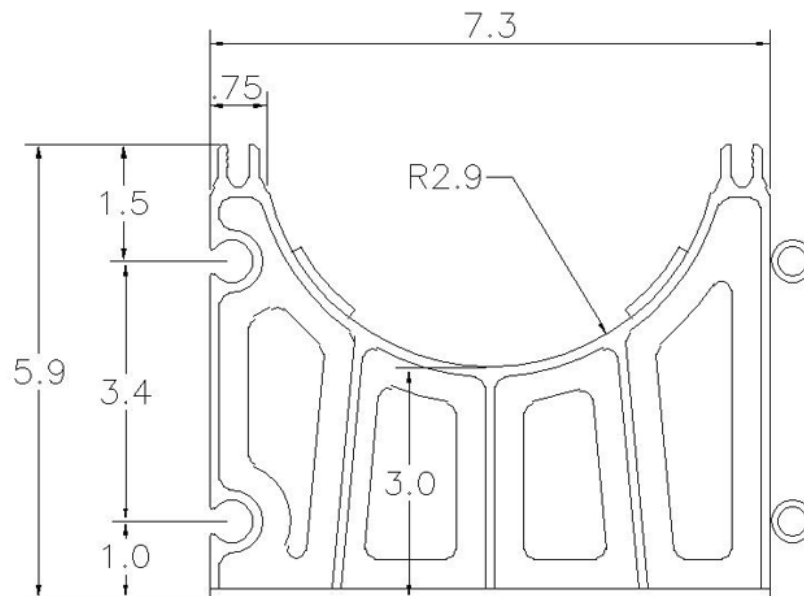


## UNDERGROUND PRODUCTS/VERTICAL LOCK SPACER SYSTEM DATA SHEET AND DIMENSIONS

129-1 5 X 1 1/2 BASE SPACER (STD.PK. 120/CTN., WGHT. 37 LBS)



- See the Multiple Assembly Data Sheet ([http://gsib.com/documents/ug\\_multiple\\_data.pdf](http://gsib.com/documents/ug_multiple_data.pdf))  
For pre-assembled spacers (129-2,129-3,129-4,). Contact us for details and for special assembly projects.