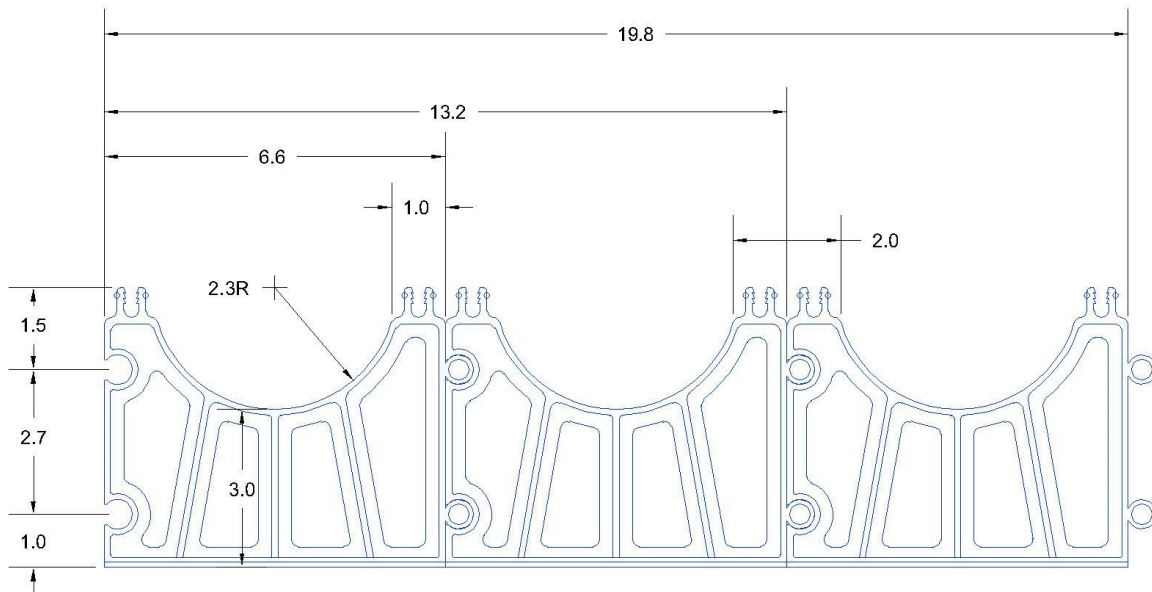


UNDERGROUND PRODUCTS/VERTICAL LOCK SPACER SYSTEM DATA SHEET AND DIMENSIONS

125-3 4 X 2 X 3 WAY BASE SPACER (STD.PK. 50/CTN., WGHT. 45 LBS)



- See the Multiple Assembly Data Sheet (http://gsib.com/documents/ug_multiple_data.pdf) For pre-assembled spacers (125-2,125-3,125-4,). Contact us for details and for special assembly projects.