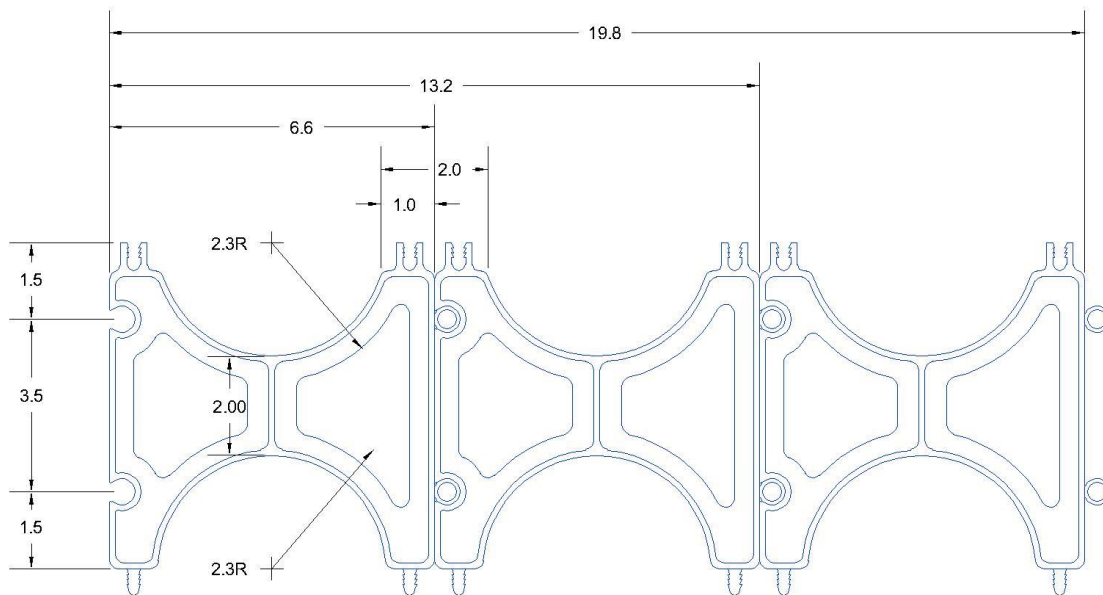


UNDERGROUND PRODUCTS/VERTICAL LOCK SPACER SYSTEM DATA SHEET AND DIMENSIONS

124-3 4 X 2 X 3 WAY INTERMEDIATE SPACER (STD.PK. 40/CTN., WGHT. 27
LBS)



- See the Multiple Assembly Data Sheet (http://gsib.com/documents/ug_multiple_data.pdf)
For pre-assembled spacers (124-2,124-3,124-4,). Contact us for details and for special assembly projects.