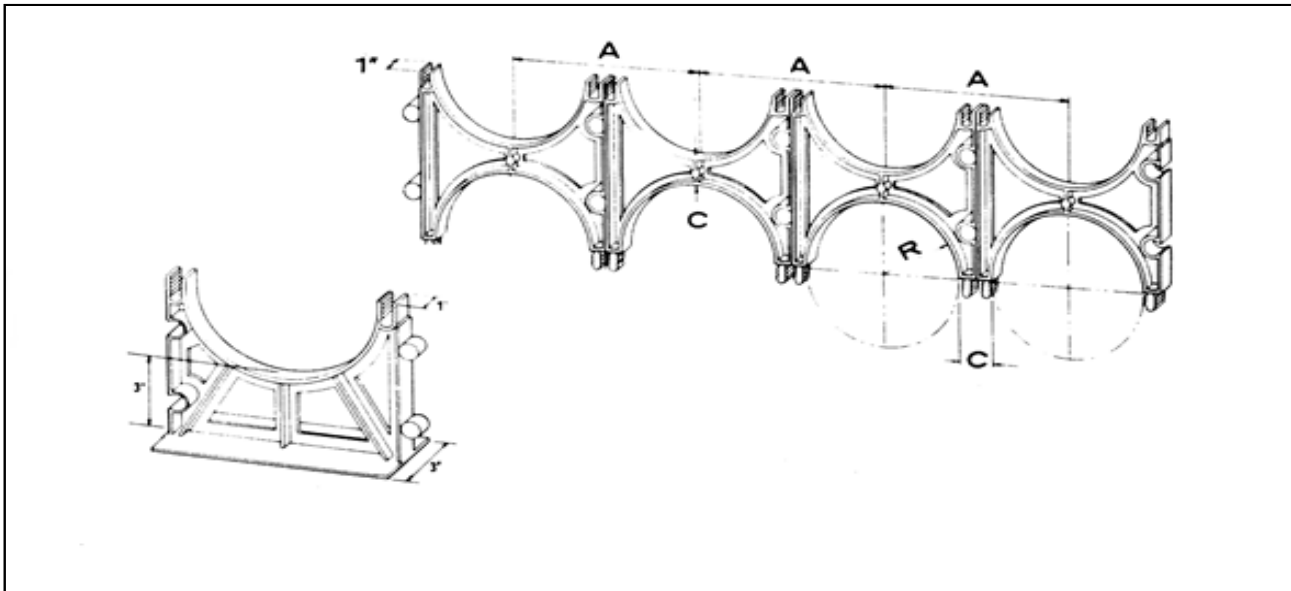


Underground Products

Intermediate and Base Spacer Dimensions



Base spacers provide a 3" separation between the bottom row of ducts and the trench floor, except for the 4" x 1" size which is 1 3/4".

Dimensional Data

	1" Separation	1 1/2" Separation	2" Separation	3" Separation
Nominal Size	R A C	R A C	R A C	R A C
2"	Saddle spacers only	1.2 4.0 1.5	1.2 4.5 2.0	1.2 5.5 3.0
3"	Saddle spacers only	1.8 5.1 1.5	1.8 5.6 2.0	1.8 6.6 3.0
4"	2.3 5.6 1.0	2.3 6.1 1.5	2.3 6.6 2.0	2.3 7.6 3.0
5"	Saddle spacers only	2.9 7.3 1.5	2.9 7.9 2.0	2.9 8.9 3.0
6"	-- -- --	3.3 8.2 1.5	3.4 8.7 2.0	3.4 9.8 3.0
8"	-- -- --	4.3 10.2 1.5	4.3 10.7 2.0	-- -- --

All dimensions in inches

Underground/Utility Products

Manufacturing and Customer Service
 Phone: 800-445-2192 / 276-629-5317
 Fax: 276-629-1264

Specifications subject to change without notice. Underground products are protected by patents internationally.